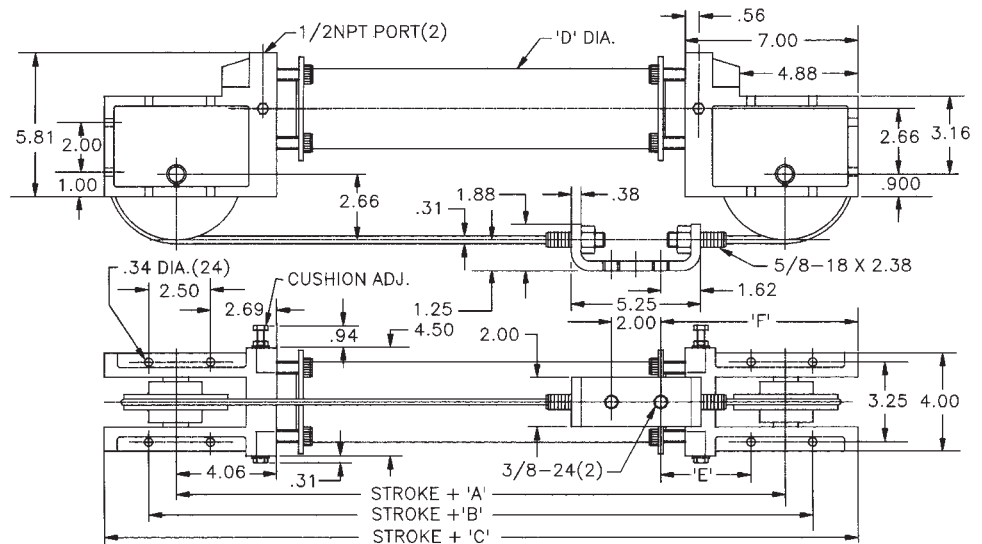


Double Acting Base Models

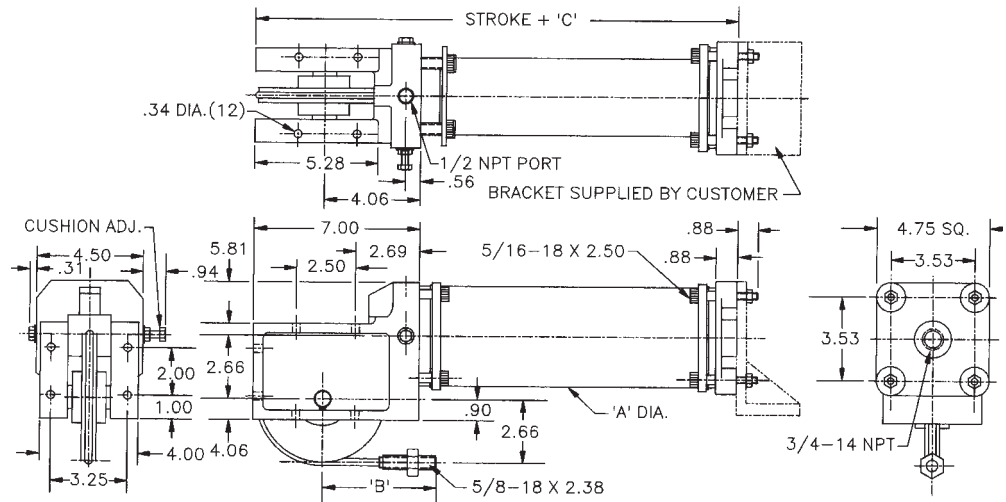
MODEL	BORE SIZE	TUBE	DIMENSIONAL DATA					
			A	B	C	D	E	F
1201HP	2.0"	Steel	11.68	13.94	17.50	2.25	3.44	7.75
1206HP	2.0"	Aluminum	11.68	13.94	17.50	2.25	3.44	7.75
1300	3.0"	Steel	11.68	13.94	17.50	3.25	3.44	7.75
1301	3.0"	Aluminum	11.68	13.94	17.50	3.25	3.44	7.75
1400	4.0"	Steel	12.68	14.94	18.50	4.25	3.94	8.25
1401	4.0"	Aluminum	12.68	14.94	18.50	4.25	3.94	8.25

Strokes greater than 23.5 ft. require tube coupler kit.



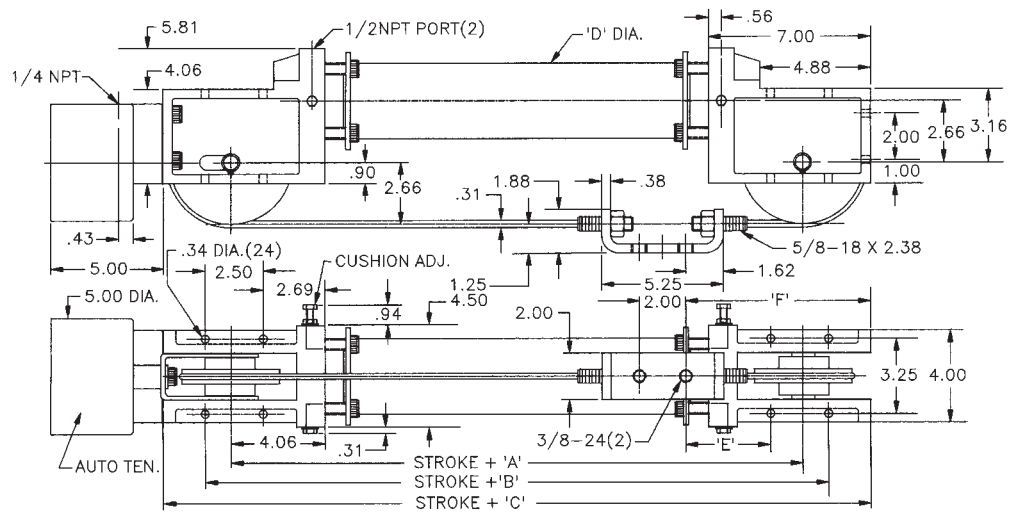
Single Acting Base Models

MODEL	BORE SIZE	TUBE	DIMENSIONAL DATA		
			A	B	C
1201SAHP	2.0"	Steel	2.25	3.60	11.38
1206SAHP	2.0"	Aluminum	2.25	3.60	11.38
1300SA	3.0"	Steel	3.25	3.60	11.38
1301SA	3.0"	Aluminum	3.25	3.60	11.38
1400SA	4.0"	Steel	4.25	4.35	12.38
1401SA	4.0"	Aluminum	4.25	4.35	12.38



Double Acting; Auto Tensioner Base Models

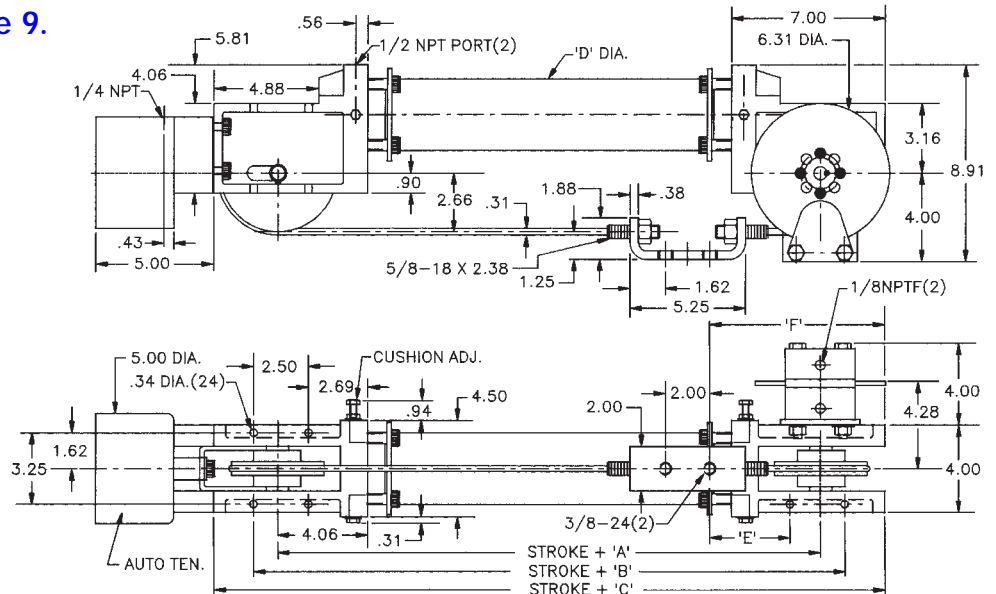
MODEL	BORE SIZE	TUBE	DIMENSIONAL DATA					
			A	B	C	D	E	F
1201HPT	2.0"	Steel	11.68	13.94	17.50	2.25	3.44	7.75
1206HPT	2.0"	Aluminum	11.68	13.94	17.50	2.25	3.44	7.75
1300T	3.0"	Steel	11.68	13.94	17.50	3.25	3.44	7.75
1301T	3.0"	Aluminum	11.68	13.94	17.50	3.25	3.44	7.75
1400T	4.0"	Steel	12.68	14.94	18.50	4.25	3.94	8.25
1401T	4.0"	Aluminum	12.68	14.94	18.50	4.25	3.94	8.25



Double Acting; Auto Tensioner & Brake Combo Base Models

MODEL	BORE SIZE	TUBE	DIMENSIONAL DATA					
			A	B	C	D	E	F
1201HPTB	2.0"	Steel	11.68	13.94	17.50	2.25	3.44	7.75
1206HPTB	2.0"	Aluminum	11.68	13.94	17.50	2.25	3.44	7.75
1300TB	3.0"	Steel	11.68	13.94	17.50	3.25	3.44	7.75
1301TB	3.0"	Aluminum	11.68	13.94	17.50	3.25	3.44	7.75
1400TB	4.0"	Steel	12.68	14.94	18.50	4.25	3.94	8.25
1401TB	4.0"	Aluminum	12.68	14.94	18.50	4.25	3.94	8.25

Brake sizing instructions on [page 9](#).

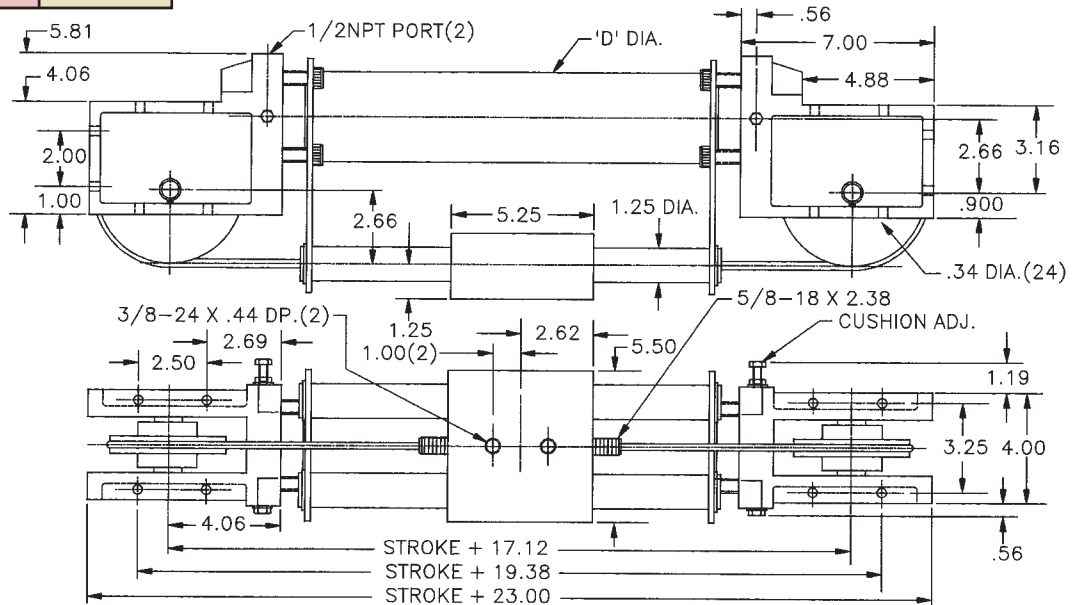


Double Stroke Base Models (see opposite page)

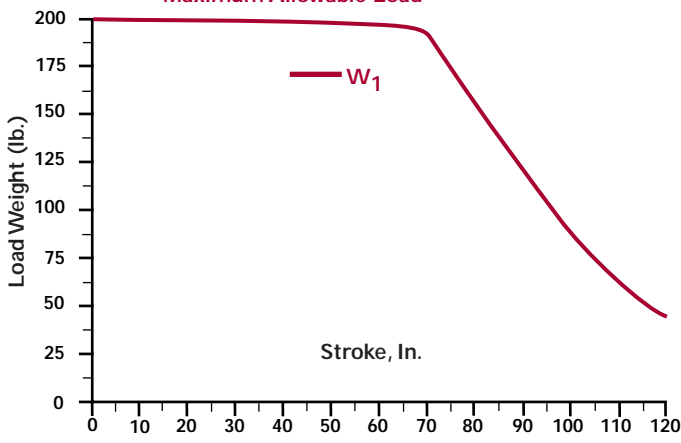
MODEL	BORE SIZE	TUBE	DIMENSIONAL DATA					
			A	B	C	D	E	F
1201HPTD	2.0"	Steel	21.44	27.56	2.25	5.69	7.81	10.72
1206HPTD	2.0"	Aluminum	21.44	27.56	2.25	5.69	7.81	10.72
1300TD	3.0"	Steel	21.44	27.56	3.25	5.69	7.81	10.72
1301TD	3.0"	Aluminum	21.44	27.56	3.25	5.69	7.81	10.72
1400TD	4.0"	Steel	22.88	29.00	4.25	6.19	8.54	11.44
1401TD	4.0"	Aluminum	22.88	29.00	4.25	6.19	8.54	11.44

Guided Cable Cylinder Base Models

MODEL	BORE SIZE	TUBE	D
GCC1201HP	2.0"	Steel	2.25
GCC1206HP	2.0"	Aluminum	2.25
GCC1300	3.0"	Steel	3.25
GCC1301	3.0"	Aluminum	3.25
GCC1400	4.0"	Steel	4.25
GCC1401	4.0"	Aluminum	4.25

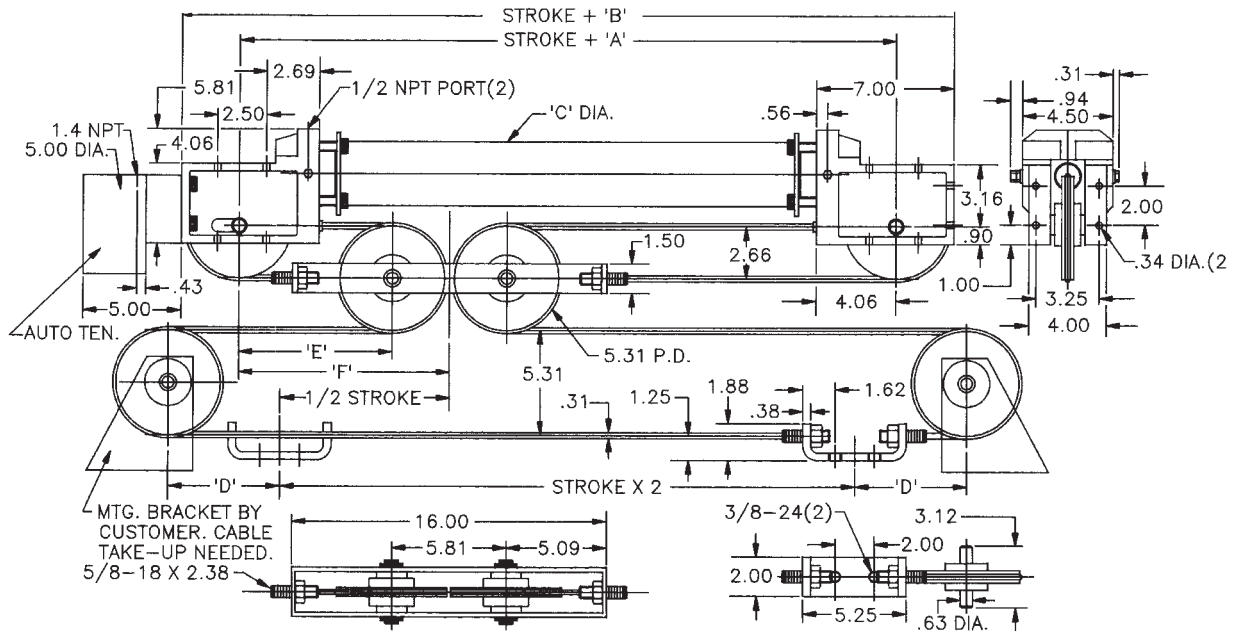


Load vs. Stroke
Maximum Allowable Load



Double Stroke Base Models

Double stroke information on [page 26](#).



Double and Single Acting, 5" Bore Base Models

MODEL	BORE SIZE	TUBE
1501	5.0"	Aluminum
1501SA	5.0"	Aluminum

